

Surface Mount Transient Voltage Suppressors (TVS)

SM8SxxD1 Series
10 To 43 V
6600W
DO-218AB

Description

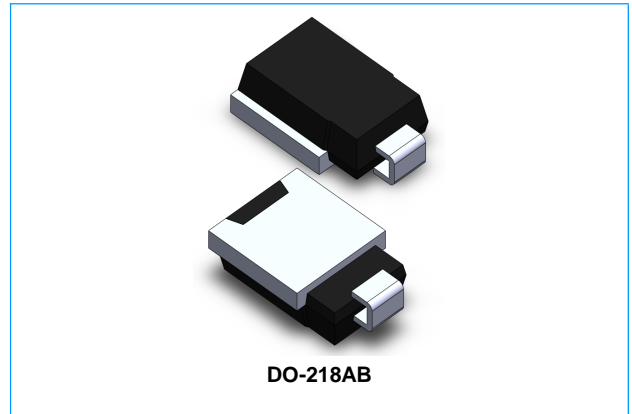
The SM8SxxD1 series is designed specifically to protect sensitive electronic equipment from voltage transients induced by lightning and other transient voltage events.

Features

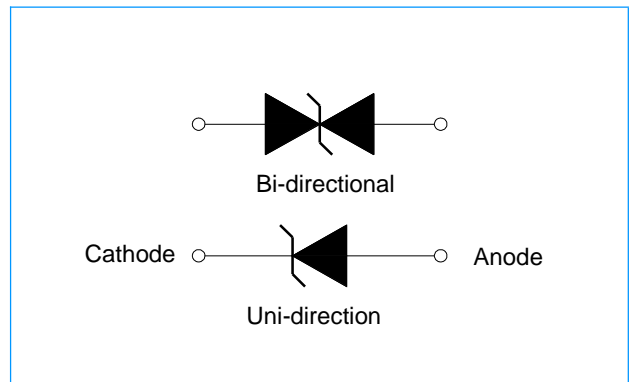
- u Optimized glass passivated chip
- u $T_J=175^{\circ}\text{C}$ capability suitable for high reliability and automotive requirement
- u 6600W peak pulse power capability with a 10/1000 μs waveform, repetitive rate (duty cycle):0.01 %
- u Meet ISO7637-2 5a/5b and ISO 16750 load dump test (varied by test condition)
- u Meet AEC-Q101 qualified
- u Low leakage current
- u Low forward voltage drop
- u Excellent clamping capability
- u Very fast response time
- u RoHS compliant

Mechanical Data

- u Case: DO-218AB
- u Molding compound: UL94V-0 flammability



Functional Diagram



Maximum Ratings ($T_A=25^{\circ}\text{C}$ unless otherwise noted)

Parameter	Symbol	Value	Unit
Peak Pulse Power Dissipation with a 10/1000 μs waveform ①	P_{PP}	6600	W
Peak Pulse Current with a 10/1000 μs waveform ①	I_{PP}	See Next Table	A
Power Dissipation on Infinite Heatsink at $T_L=25^{\circ}\text{C}$	P_D	8.0	W
Operating junction and Storage Temperature Range	T_J, T_{STG}	- 55 to + 175	$^{\circ}\text{C}$
Peak Forward Surge Current 8.3ms Single Half Sine-wave	I_{FSM}	700	A

Notes:

1. Non-repetitive current pulse per Fig.2 and derated above $T_A=25^{\circ}\text{C}$ per Fig.1.

Surface Mount Transient Voltage Suppressors (TVS)

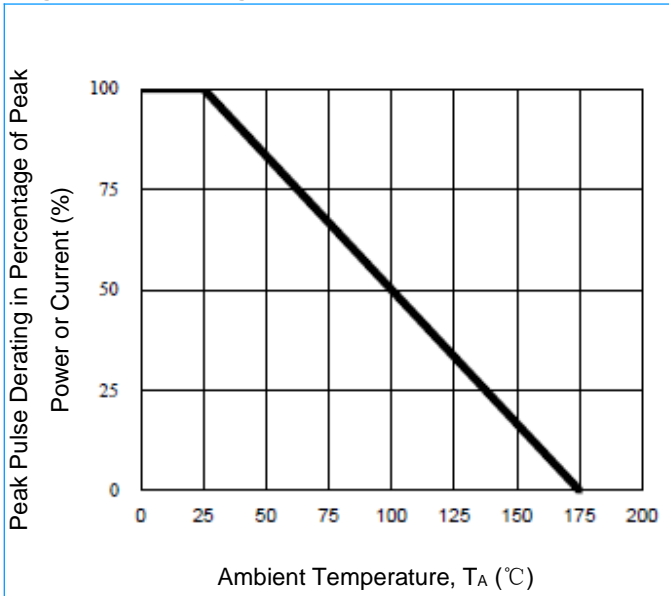
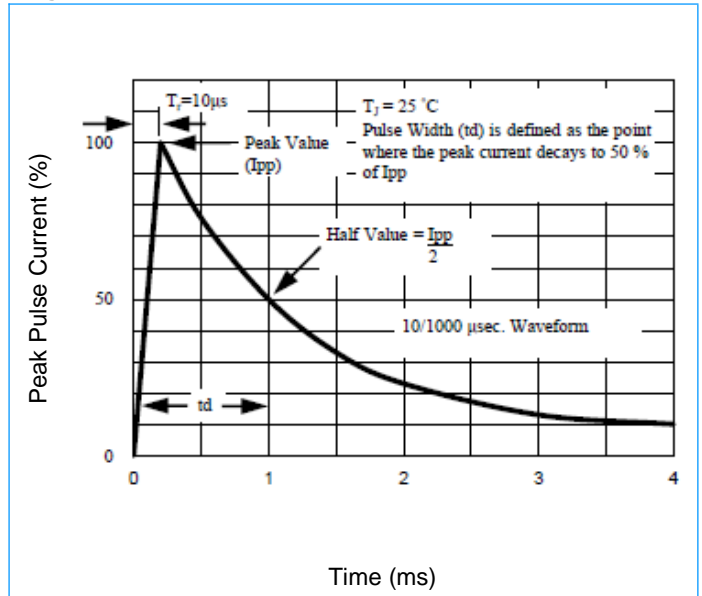
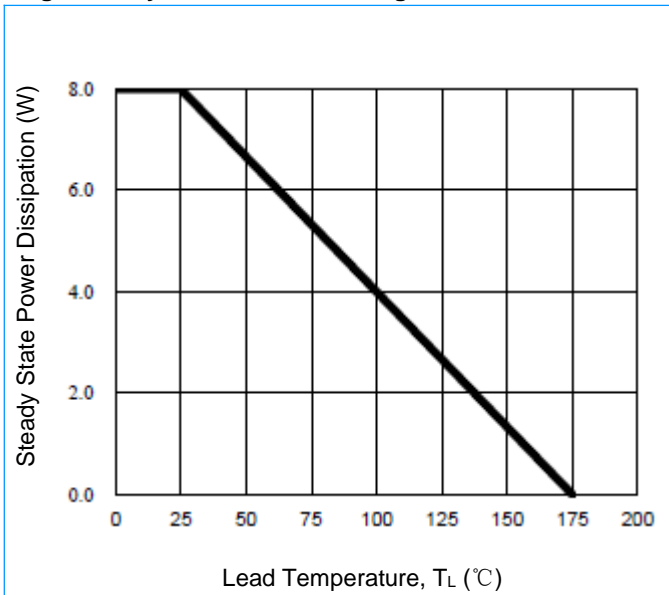
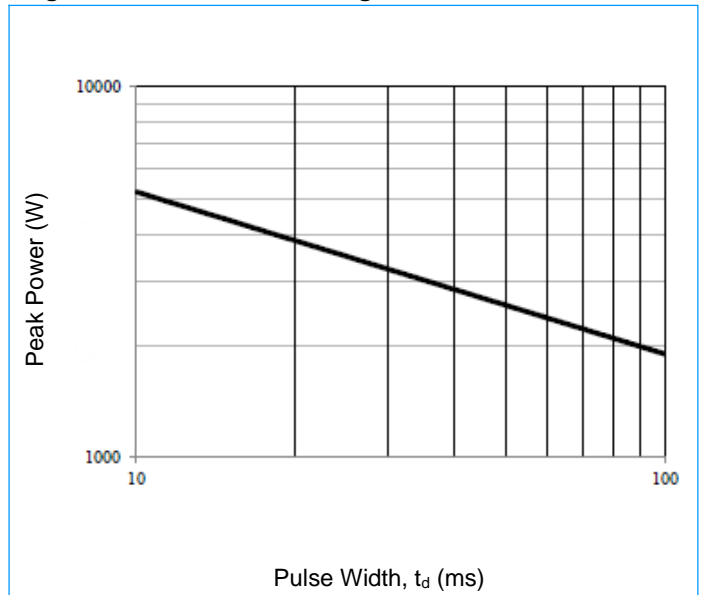
SM8SxxD1 Series
10 To 43 V
6600W
DO-218AB
Electrical Characteristics (T_A=25°C unless otherwise noted)

Part Number		Working Peak Reverse Voltage V _{RWM} (V)	Breakdown Voltage V _{BR} (V)		Test Current I _T (mA)	Maximum Reverse Leakage I _R @ V _{RWM} (μA)	Maximum I _R @ V _{RWM} T _J =175°C (μA)	Maximum Reverse Surge Current I _{PP} (A) ①	Maximum Clamping Voltage V _C @ I _{PP} (V)
Uni	Bi		Min.	Max.					
SM8S10AD1	SM8S10CAD1	10.0	11.1	12.3	5.0	15	250	388	17.0
SM8S11AD1	SM8S11CAD1	11.0	12.2	13.5	5.0	10	150	363	18.2
SM8S12AD1	SM8S12CAD1	12.0	13.3	14.7	5.0	10	150	332	19.9
SM8S13AD1	SM8S13CAD1	13.0	14.4	15.9	5.0	10	150	307	21.5
SM8S14AD1	SM8S14CAD1	14.0	15.6	17.2	5.0	10	150	284	23.2
SM8S15AD1	SM8S15CAD1	15.0	16.7	18.5	5.0	10	150	270	24.4
SM8S16AD1	SM8S16CAD1	16.0	17.8	19.7	5.0	10	150	254	26.0
SM8S17AD1	SM8S17CAD1	17.0	18.9	20.9	5.0	10	150	239	27.6
SM8S18AD1	SM8S18CAD1	18.0	20.0	22.1	5.0	10	150	226	29.2
SM8S20AD1	SM8S20CAD1	20.0	22.2	24.5	5.0	10	150	204	32.4
SM8S22AD1	SM8S22CAD1	22.0	24.4	26.9	5.0	10	150	186	35.5
SM8S24AD1	SM8S24CAD1	24.0	26.7	29.5	5.0	10	150	170	38.9
SM8S26AD1	SM8S26CAD1	26.0	28.9	31.9	5.0	10	150	157	42.1
SM8S28AD1	SM8S28CAD1	28.0	31.1	34.4	5.0	10	150	145	45.4
SM8S30AD1	SM8S30CAD1	30.0	33.3	36.8	5.0	10	150	136	48.4
SM8S33AD1	SM8S33CAD1	33.0	36.7	40.6	5.0	10	150	124	53.3
SM8S36AD1	SM8S36CAD1	36.0	40.0	44.2	5.0	10	150	114	58.1
SM8S40AD1	SM8S40CAD1	40.0	44.4	49.1	5.0	10	150	102	64.5
SM8S43AD1	SM8S43CAD1	43.0	47.8	52.8	5.0	10	150	95.1	69.4

Notes:

- Surge current waveform is defined at 10/1000μS waveform.
- For all types maximum V_F = 1.8 V at I_F = 100 A measured on 8.3 ms single half sine-wave or equivalent square wave, duty cycle = 4 pulses per minute maximum.

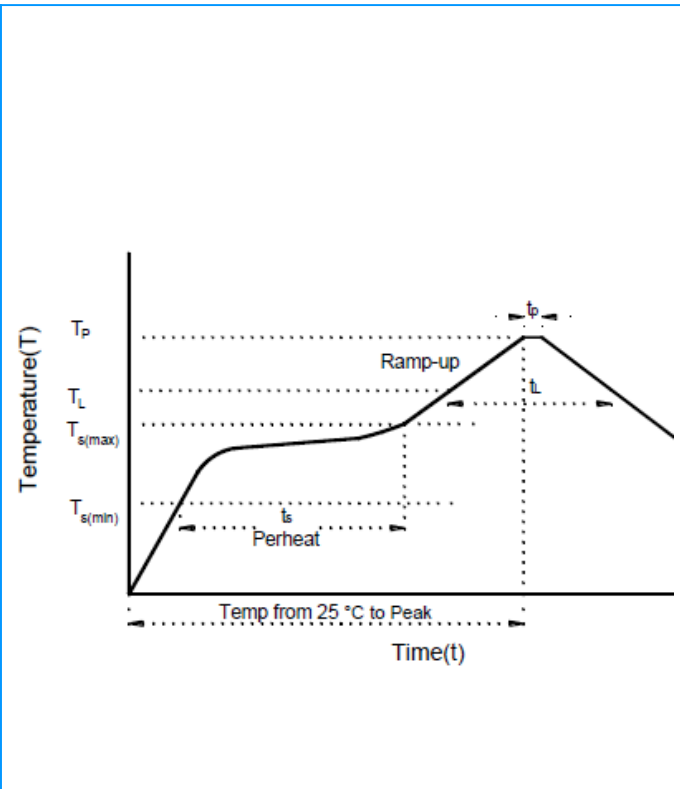
Surface Mount Transient Voltage Suppressors (TVS)

SM8SxxD1 Series
10 To 43 V
6600W
DO-218AB
Ratings and Characteristics Curves ($T_A=25^\circ\text{C}$ unless otherwise noted)
Fig1. Pulse Derating Curve

Fig2. Pulse Waveform

Fig3. Steady State Power Derating Curve

Fig4. Peak Pulse Power Rating Curve


Surface Mount Transient Voltage Suppressors (TVS)

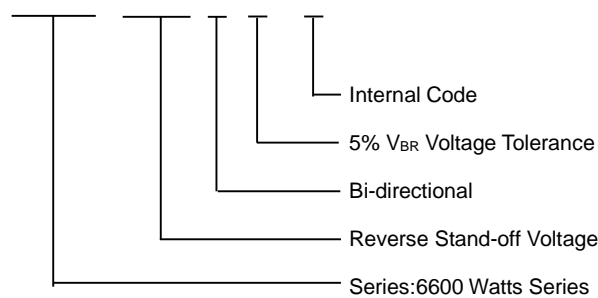
SM8SxxD1 Series
10 To 43 V
6600W
DO-218AB

Recommended Soldering Parameters



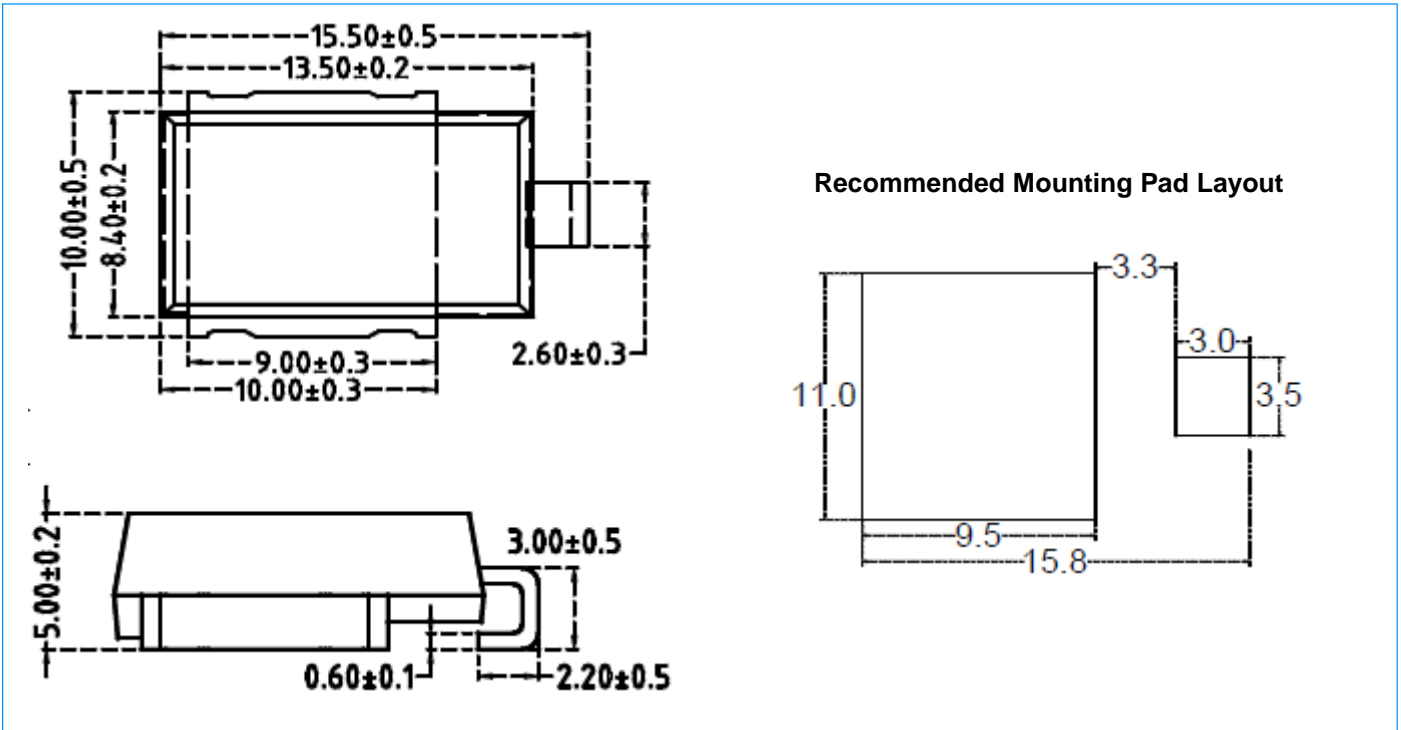
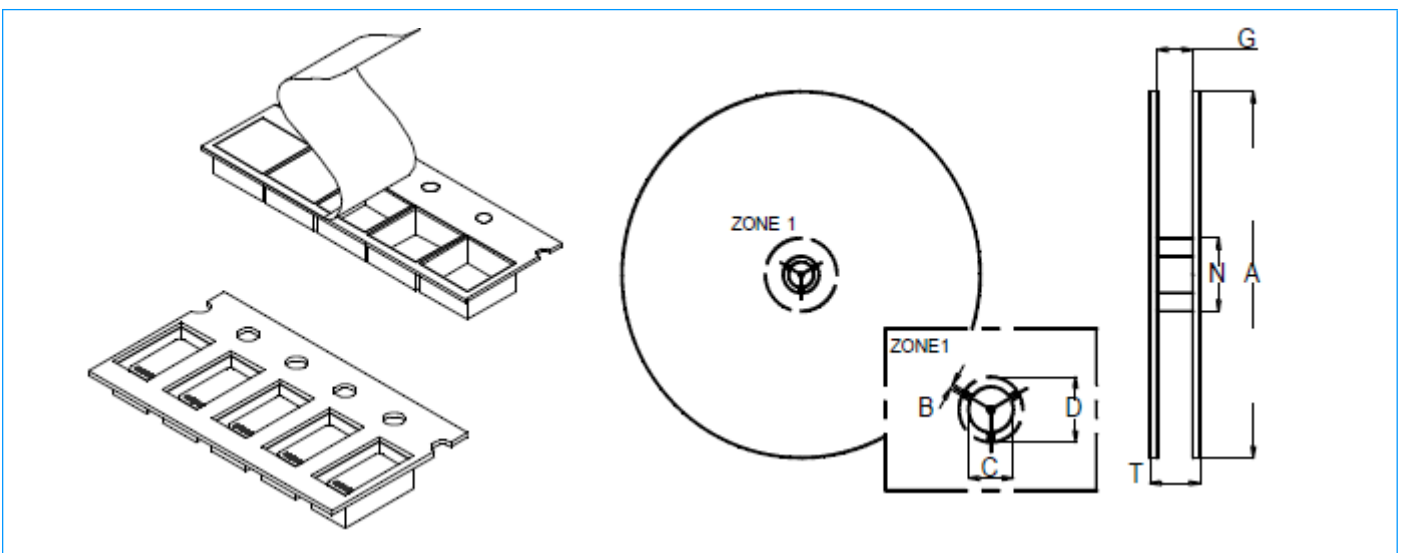
IR - Reflow Condition		Pb-Free assembly
Pre Heat	-Temperature Min ($T_{s(min)}$)	+150°C
	-Temperature Max ($T_{s(max)}$)	+200°C
	- Time (Min to Max) (T_s)	60 -180 secs.
Average ramp up rate (Liquid μs Temp (T_L) to peak)		3°C/sec. Max
$T_{s(max)}$ to T_L - Ramp-up Rate (220 - 200°C)		3°C/sec. Max
Reflow	- Temperature (T_L) (Liquid μ s)	>220°C
	- Time (t_L)	60 -150 secs.
Peak Temperature (T_P)		+245°C
Time within 5°C of actual peak Temperature (t_p)		10 - 30 secs.
Ramp-down Rate		5°C/sec. Max
Time 25°C to Peak Temperature (T_P)		6 min. Max
Do not exceed		+280°C

Part Numbering

SM8SxxCAD1


Packaging

Part Number	Component Package	Quantity	Packaging Option
SM8SxxD1 Series	DO-218AB	500 PCS	13" diameter plastic tape and reel, anode towards the sprocket hole

Surface Mount Transient Voltage Suppressors (TVS)
SM8SxxD1 Series
10 To 43 V
6600W
DO-218AB
Package Outline Dimensions (Unit: millimeters)

Surface Mount Tape and Reel Packaging (Unit: millimeters(inches))


Type Size	A (Max.)	B (Min.)	C	D (Min.)	N (Min.)	G (Max.)	T (Max.)
24 (0.945)	330 ± 2.0 (13.0 ± 0.079)	1.5 (0.059)	13.5 ± 0.50 (0.53 ± 0.02)	20.2 (0.795)	50 (1.97)	26.4 (1.039)	30.4 (1.197)