

1A Surface Mount Glass Passivated Bridge Rectifier

ABSXX-10

Features

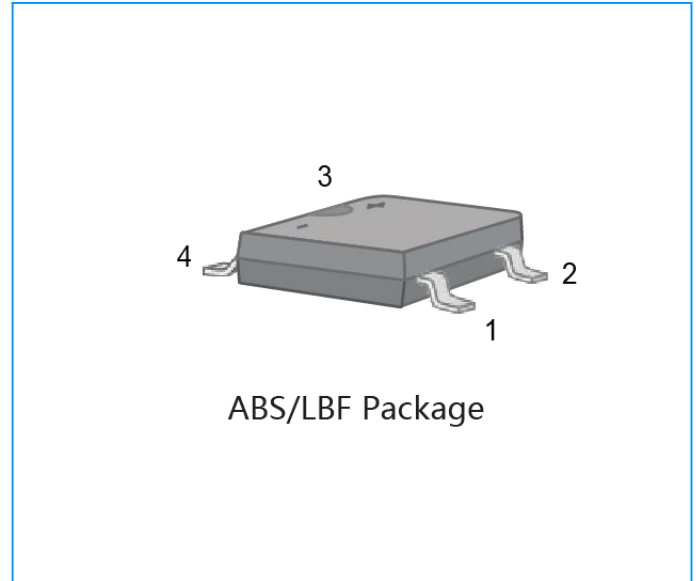
- ◆ Glass Passivated Chip Junction
- ◆ Reverse Voltage-100 to 1000V
- ◆ Forward Current-1A
- ◆ High Surge Current Capability
- ◆ Designed for Surface Mount Application

Mechanical Data

- ◆ Case: ABS/LBF
- ◆ Terminals: Solderable per MIL-STD-750, Method 2026
- ◆ Approx. Weight: 88mg /0.0031oz

Pinning

PIN	DESCRIPTION
1	Input Pin (~)
2	Input Pin (~)
3	Output Anode (+)
4	Output Cathode (-)



1A Surface Mount Glass Passivated Bridge Rectifier

ABSXX-10

Maximum Ratings And Electrical Characteristics

Ratings at 25 °C ambient temperature unless otherwise specified.

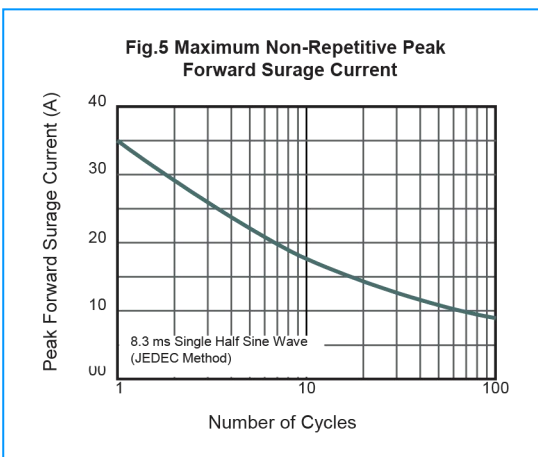
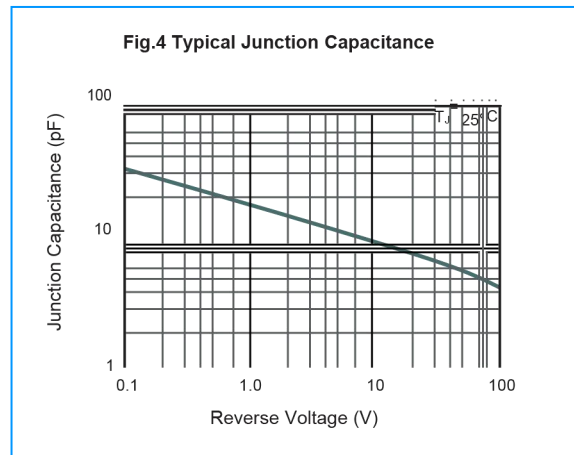
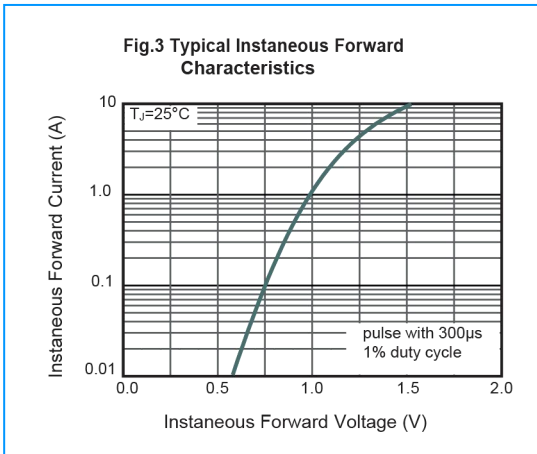
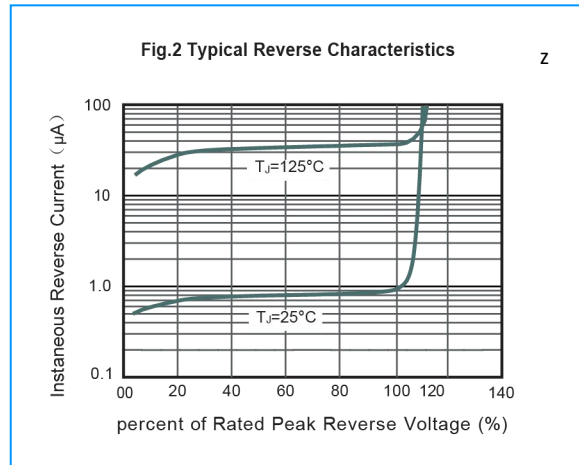
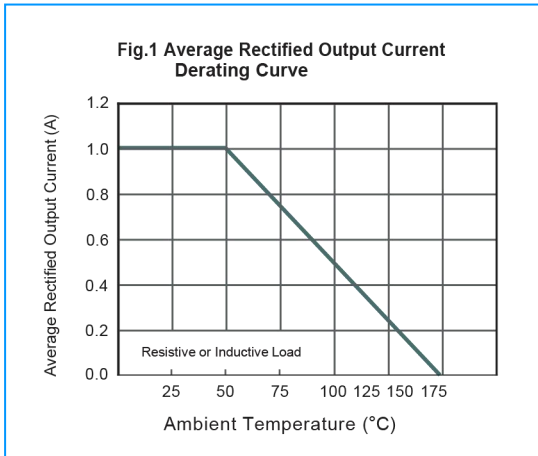
Single phase half-wave 60 Hz, resistive or inductive load, for capacitive load current derate by 20 %.

Parameter	Symbols	ABS1-10	ABS2-10	ABS4-10	ABS6-10	ABS8-10	ABS10-10	Units
Max Repetitive Peak Reverse Vol.	V_{RRM}	100	200	400	600	800	1000	V
Max RMS voltage Vol.	V_{RMS}	70	140	280	420	560	700	V
Max DC Blocking Vol.	V_{DC}	100	200	400	600	800	1000	V
Average Rectified Output Current at $T_a = 50\text{ }^{\circ}\text{C}$	I_O	1						A
Peak Forward Surge Current 8.3 ms Single Half Sine Wave Superimposed on Rated Load (JEDEC Method)	I_{FSM}	35						A
Forward Voltage per element @ $I_F = 1.0\text{A}$	V_F	1.1						V
Maximum DC Reverse Current@ $T_A=25\text{ }^{\circ}\text{C}$ at Rated DC Blocking Voltage@ $T_A=100\text{ }^{\circ}\text{C}$ @ $T_A=125\text{ }^{\circ}\text{C}$	I_R	5 50 100						μA
Typical Capacitance (Note1)	C_j	13						pF
Typical Thermal Resistance (Note2)	$R_{\theta JA}$ $R_{\theta JL}$	80 25						$^{\circ}\text{C/W}$
Operating and Storage Temperature Range	T_j, T_{stg}	-55 ~ +150						$^{\circ}\text{C}$

Note: 1. Measured at 1MHz and applied reverse voltage of 4 V D.C. 2. Mounted on glass epoxy PC board with $4 \times (5 \times 5\text{mm}^2)$ copper pad.

1A Surface Mount Glass Passivated Bridge Rectifier

ABSXX-10

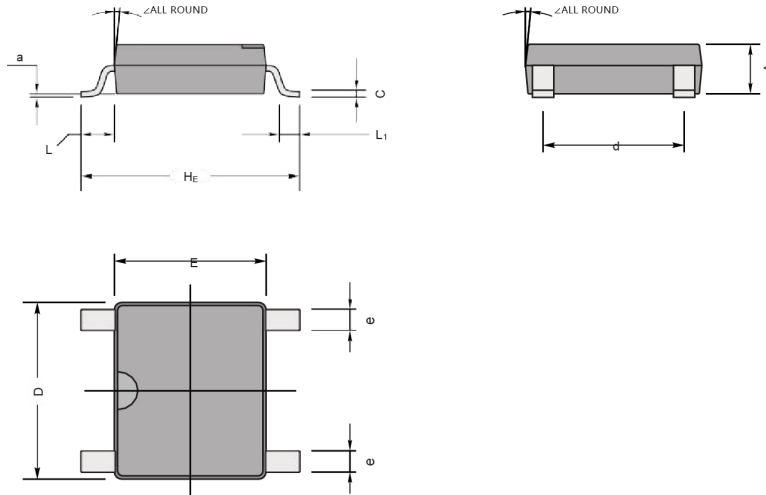


1A Surface Mount Glass Passivated Bridge Rectifier

ABSXX-10

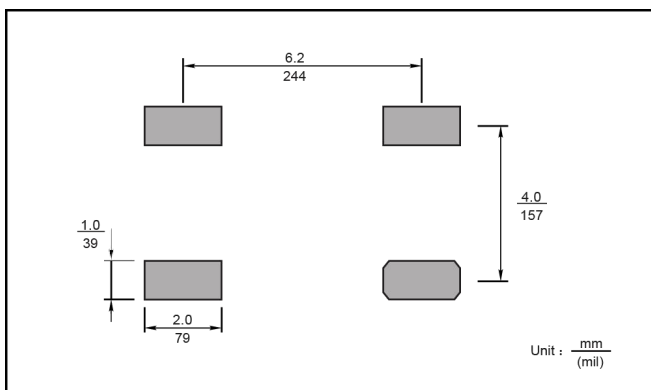
Package Outline

ABS/LBF

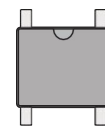


UNIT	---	A	C	D	E	H _E	d	e	L	L ₁	a	∠
mm	max	1.5	0.22	5.2	4.5	6.4	4.2	0.7	0.95	0.6	0.2	7°
	min	1.3	0.15	4.9	4.2	6.0	3.8	0.5				
mil	max	59	8.7	205	177	252	165	28	37	24	8	
	min	51	5.9	193	166	236	150	20				

The Recommended Mounting Pad Size



Type number	Marking code
ABS1-10	10T1
ABS2-10	10T2
ABS4-10	10T4
ABS6-10	10T6
ABS8-10	10T8
ABS10-10	10T10



10Txx